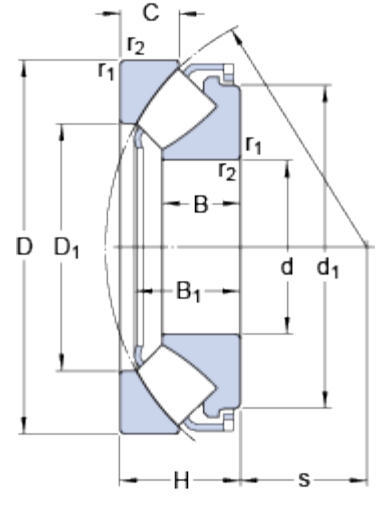




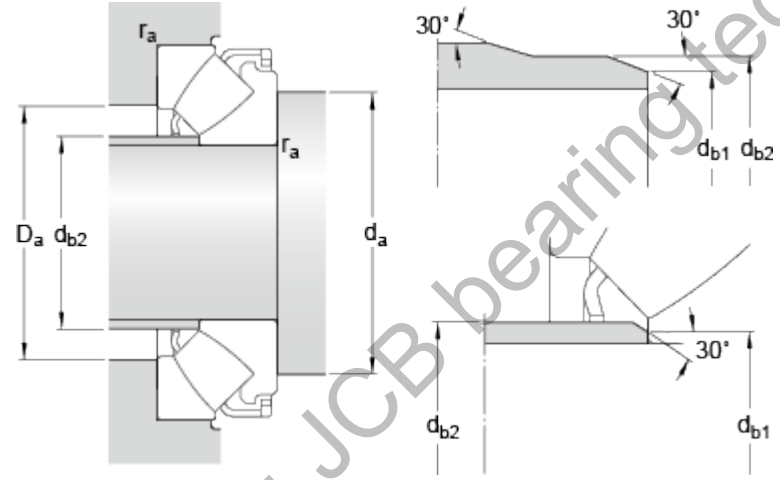
29440

Dimensions



d	200	mm
D	400	mm
H	122	mm
d ₁	≈ 350	mm
D ₁	≈ 278	mm
B	77	mm
B ₁	107.1	mm
C	59.4	mm
s	122	mm
r _{1,2}	min. 5	mm

Abutment dimensions



d _a	min. 295	mm
d _{b1}	max. 217.5	mm
d _{b2}	max. 234	mm
D _a	max. 337	mm
r _a	max. 4	mm

Calculation data

Basic dynamic load rating	C	3200	kN
Basic static load rating	C ₀	9000	kN
Fatigue load limit	P _u	850	kN
Reference speed		850	r/min
Limiting speed		1600	r/min
Minimum axial load factor	A	7.7	

Mass

Mass bearing		72	kg
--------------	--	----	----